

Stand-Alone Hybrid Street Light

The Long time maintenance-free
LED Lighting System
with Solar Power Generation

Ver 1.1

NS Semicon Co.,ltd.

1. Product features and concept:

1-1 Complete Stand-Alone Solution:

- Only using solar power energy support lighting in period after sunset
- Does not require any external electric power source.
- Enough battery support while cloudy/rainy day

1-2 Ultra long life battery usage:

- Through "Programmed Battery Charging Control", able to support battery charging time over 3,000times (Equivalent: Over 8 to 10 years)

1-3 Long Life LED Light usage:

- High quality LED light & design support long life up to over 40,000hours (Equivalent: Over 8 to 10 years)

1-4 Automatic Lighting:

- Built-in luminance sensor support programmable hands free lighting

1-5 Intelligent Illuminance Control: Power Saving Mode:

- In order to save battery consumption, automatically reduce light power from 7Watt x 2 to 3.5Watt x 2 according to weather condition and time schedule

1-6 External power Output(Optional):

- At the time of disaster such as blackout, external AC 220V output support for charging mobile phone and etc.

2. Product Structure:

2-1 Solar Generation Panel: 100 to 150 Watt x 1 unit

2-2 Lithium Ferrite Battery

with 1,280Watt capacity(100Ah x 4 units)

2-3 Power Control Unit:

- Solar Controller x 1 unit

- Programmed Battery Charging Controller x 1 unit

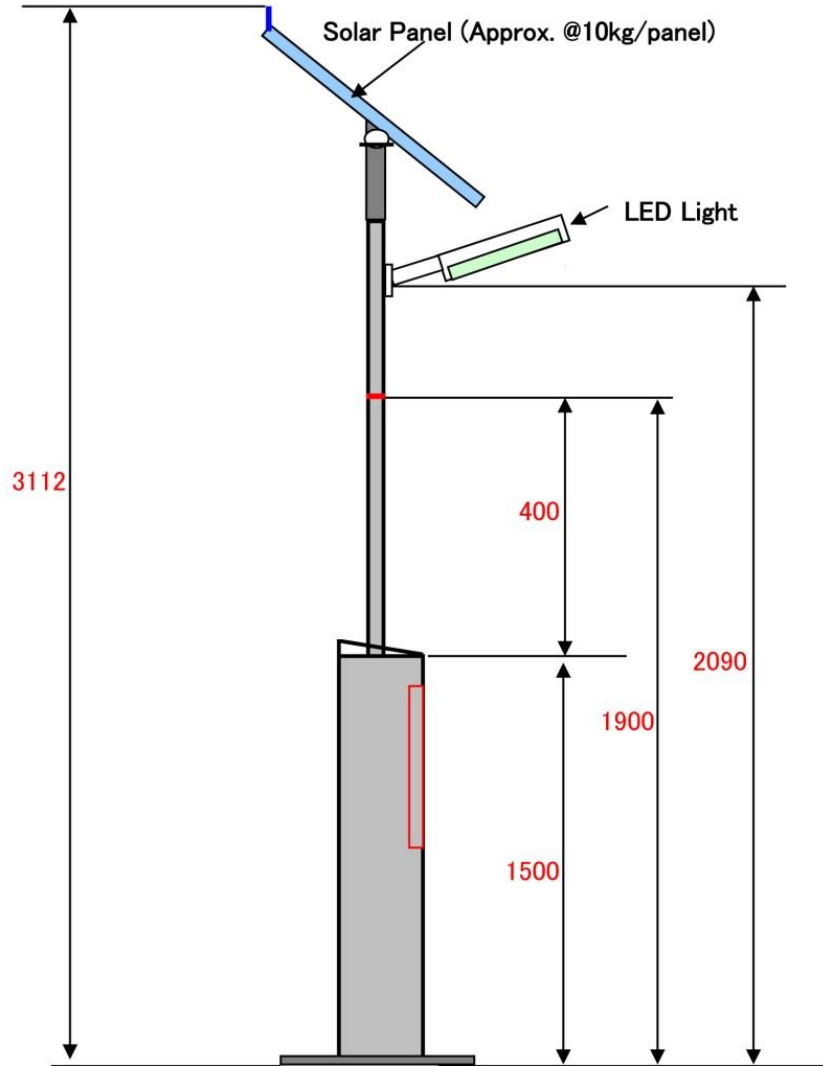
2-4 LED Light:

- 7Watt x 2 units with Water Proof Casing

2-5 Standing Pole x 1 unit

Stand Alone Road Light System – Side View

Unit: mm



Stand Alone Road Light System

